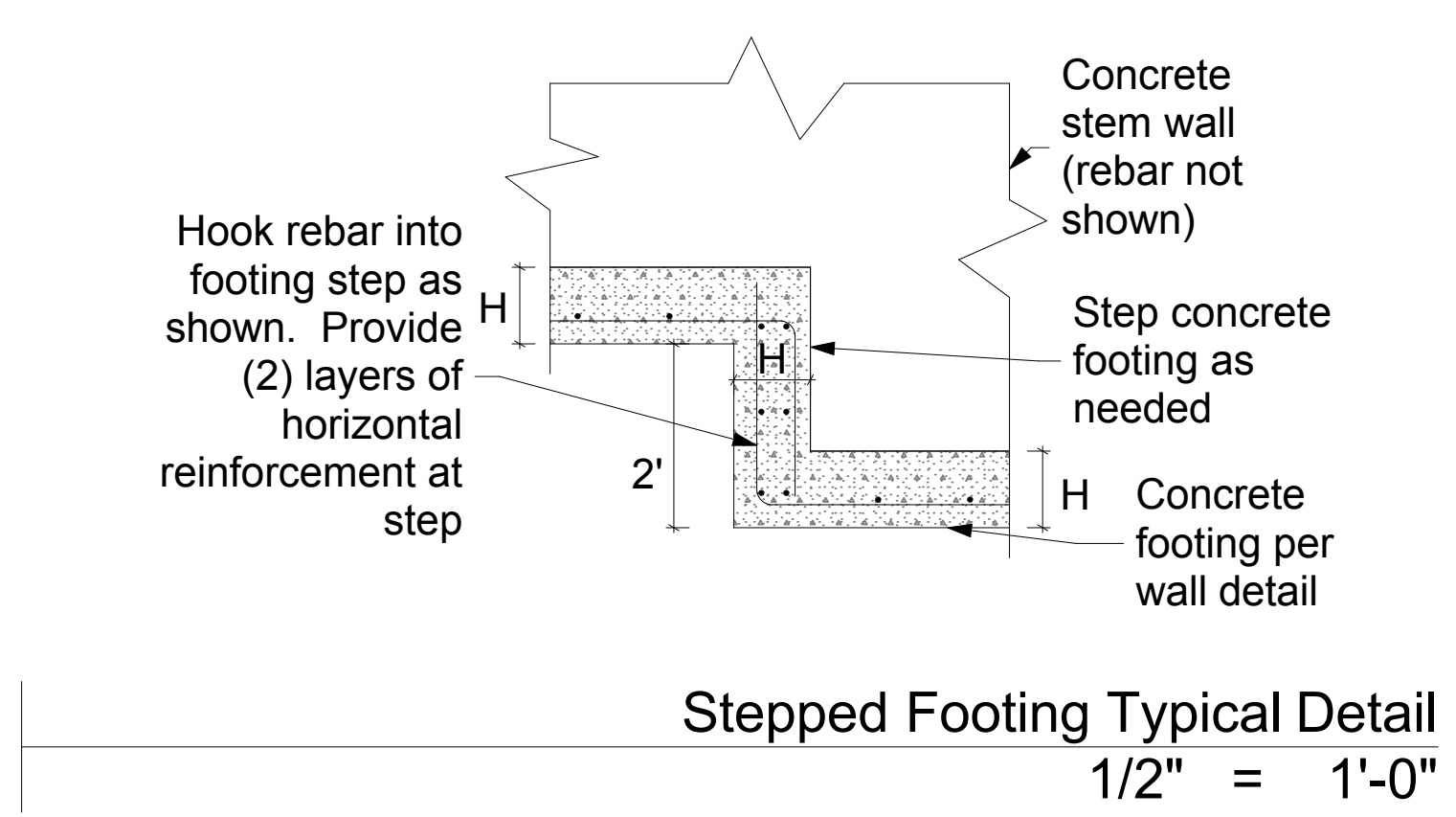
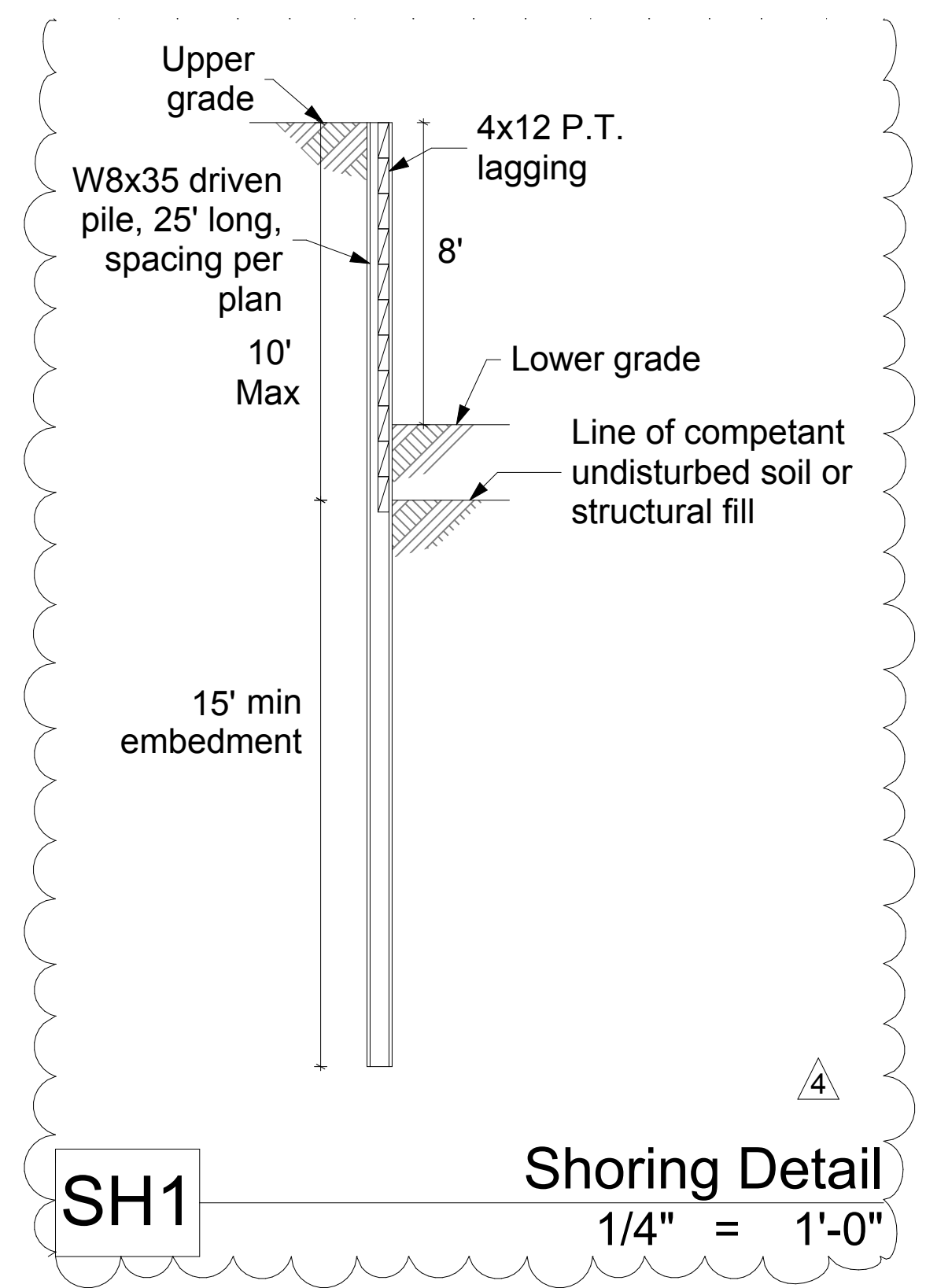


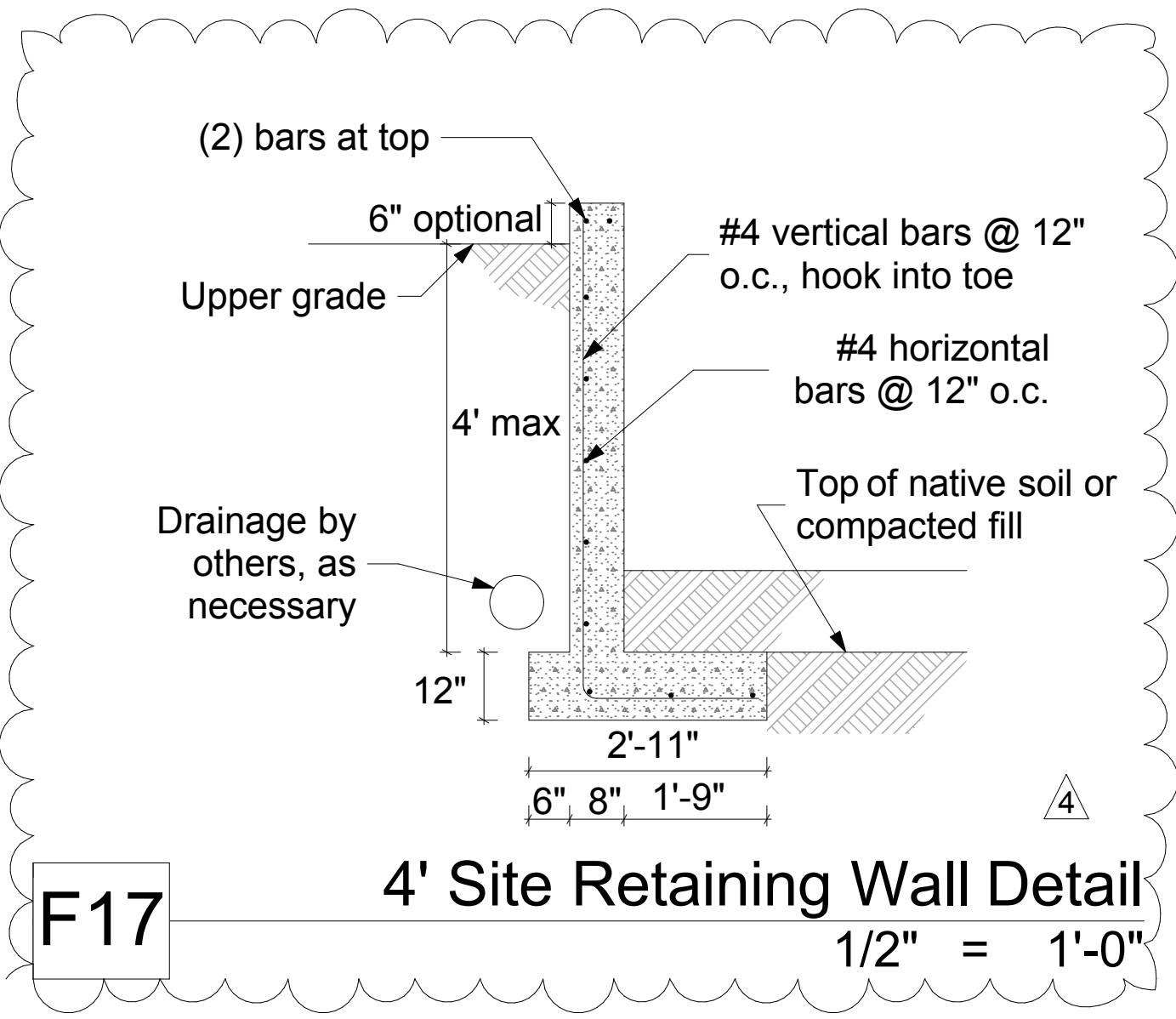
Retaining Wall Tieback Detail
3/4" = 1'-0"



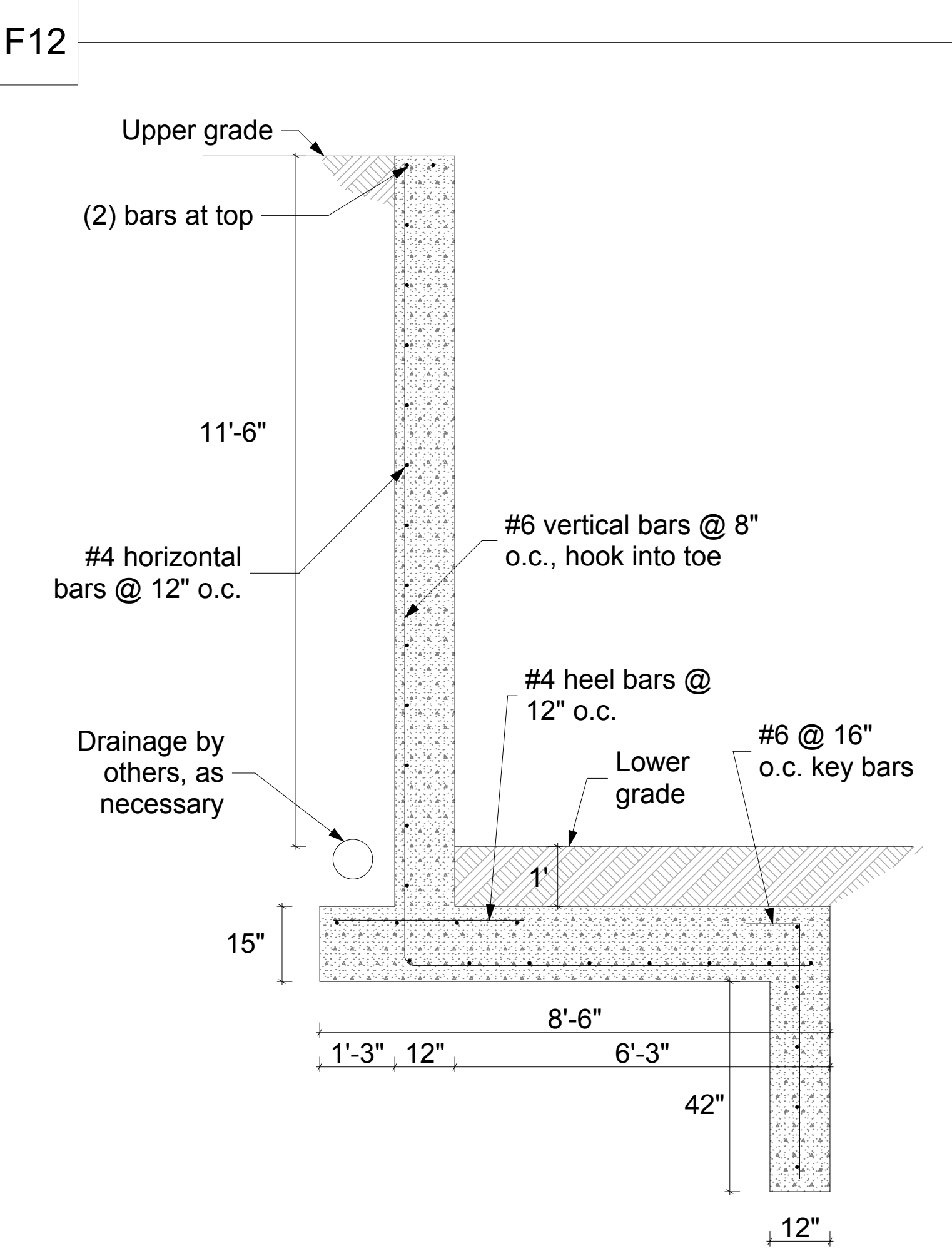
Stepped Footing Typical Detail
1/2" = 1'-0"



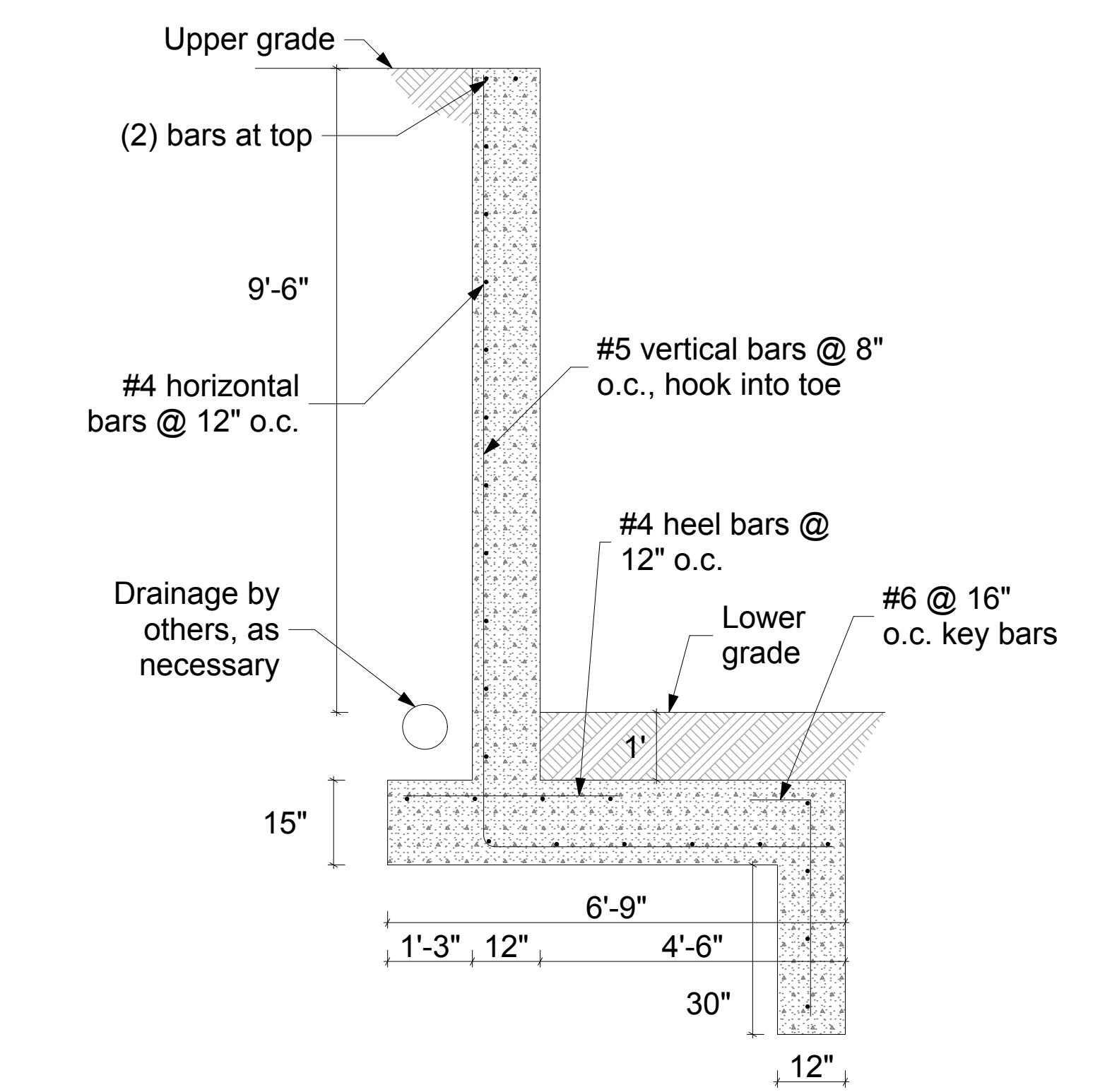
SH1 Shoring Detail
1/4" = 1'-0"



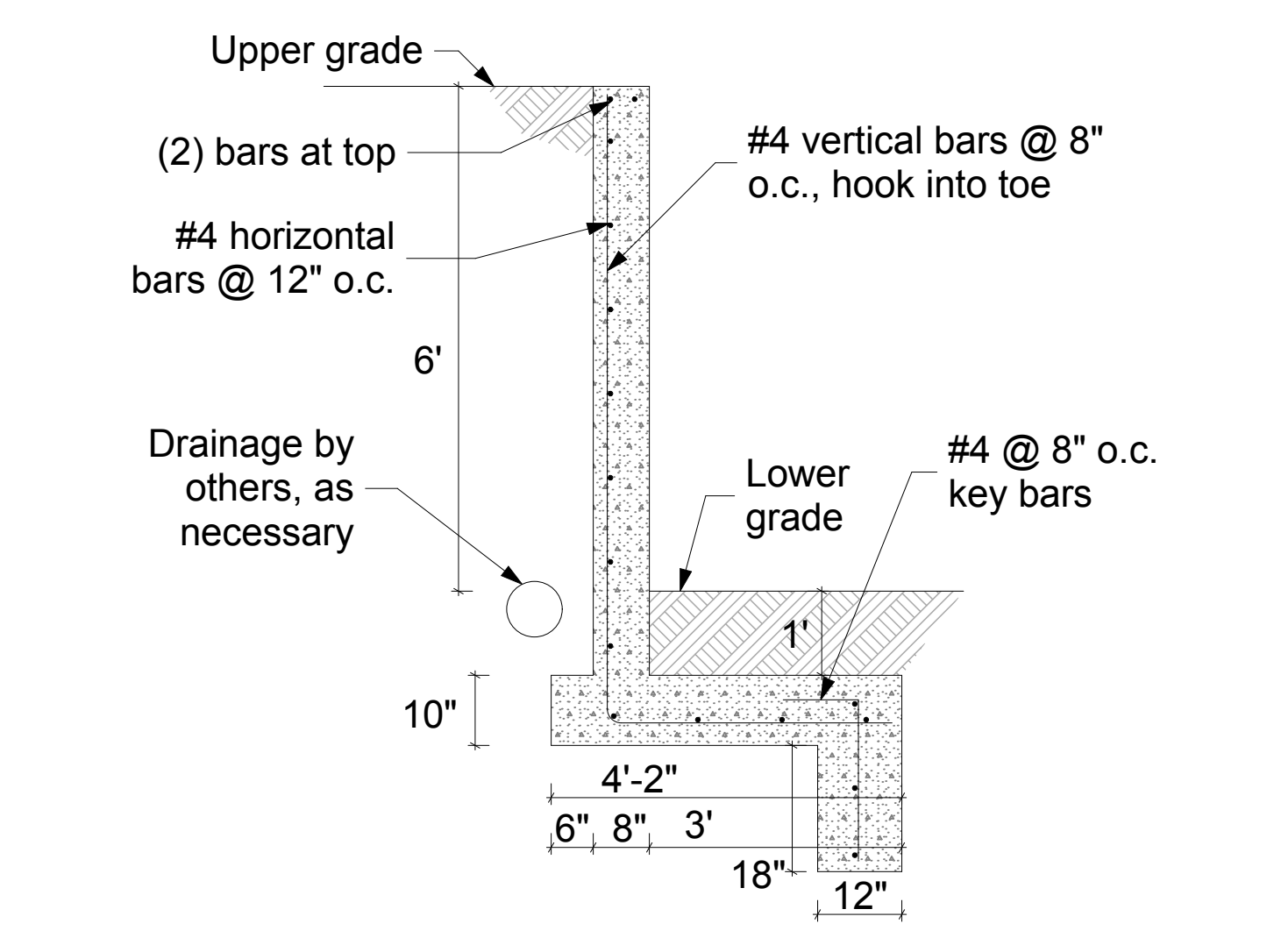
F17 4' Site Retaining Wall Detail
1/2" = 1'-0"



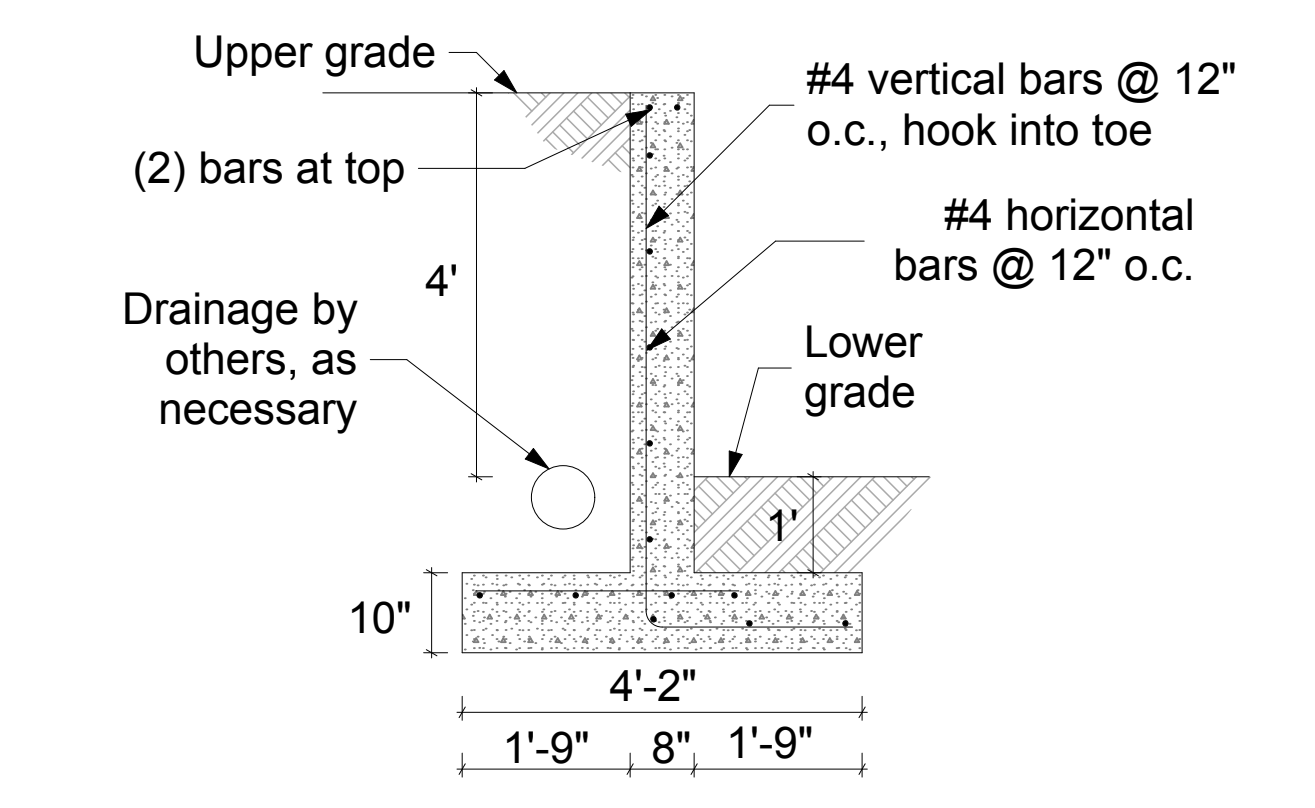
F13 11.5' Retaining Wall Detail
1/2" = 1'-0"



F14 9.5' Retaining Wall Detail
1/2" = 1'-0"



F15 6' Retaining Wall Detail
1/2" = 1'-0"



F16 4' Retaining Wall Detail
1/2" = 1'-0"